

## Catalogue 2017

Aeterna

---

Naturalis

---

Divina

---





# Index

<b>Our Company</b>	4
<b>Aeterna</b>	5
<b>Naturalis</b>	9
<b>Divina</b>	13
<b>Accessories</b>	19
<b>Details</b>	23
<b>Contacts</b>	25
<b>Notes</b>	26

# Our Company

The Venitian Company located near Bassano del Grappa, has all the characteristics of a young, dynamic, environment changes catching Company. Aware of the increasing final user's need of living in a simple and practical, but at the same time technologically advanced kitchen room, **SUPERLUX** has specialized itself in the manufacture of stainless steel, particularly in **production of stainless steel sinks** with 12 mm corner radius.

For this reason in our Company work expert and skilled employers, taking advantage of high-tech machineries for offering the best product available on the market. The high quality standards that characterizes SUPERLUX products are represented by collaborations we have with some of the most important international brands.

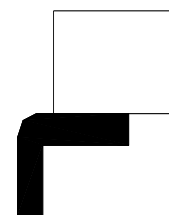


# Aeterna

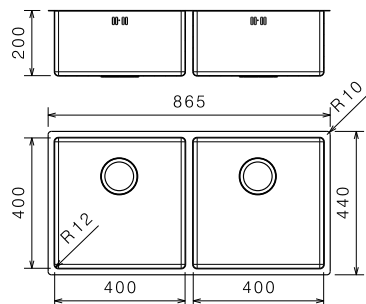
The collection **Aeterna**, played with elegance and strength, the Italian art and creativity. Its design is a magnificent interpretation of clarity and aesthetic research. High-tech processing technologies shape the 18/10 Stainless Steel into ideal forms, become now an emblem of SUPERLUX, allowing an easy and efficient cleaning. This range epitomizes capably the rigor of an impeccable and functional aesthetic. The sinks Aeterna resolve into very little space all needs.

The different kinds of models allow maximum freedom in the design of the washing zone which is interpreted in a way so different and unique. The series is studied to be placed under the countertop. The lack of borders increases the space available on the countertop, and facilitates hygiene within the kitchen. Sinks of line Aeterna are indicated for those cases where you look forward at all costs to getting a sleek and seductive design. The result is a perfect harmony between sink and worktop.

## UNDERMOUNT

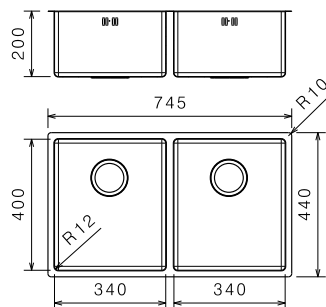


# Aeterna Undermount



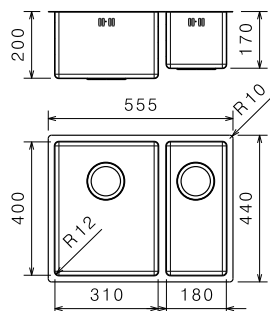
Cod.: **A2A11**

Sink complete  
with standard equipment



Cod.: **A2A12**

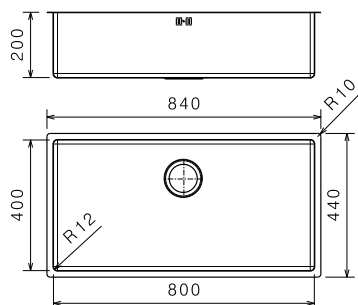
Sink complete  
with standard equipment



Cod.: **A2A13** /Big bowl right

Cod.: **A2A14** /Big bowl left

Sink complete  
with standard equipment

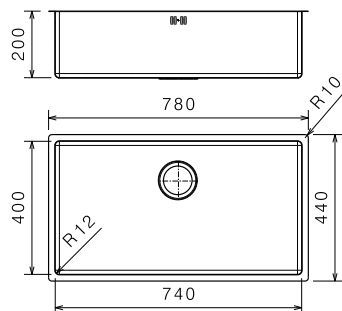


Cod.: **A1A15**

Sink complete  
with standard equipment

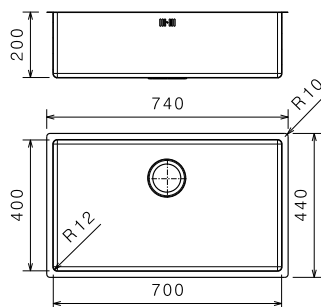


# Aeterna Undermount



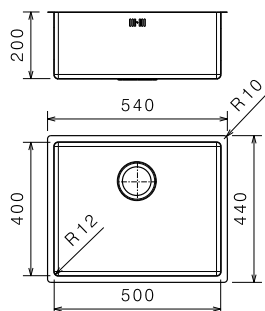
Cod.: **A1A16**

Sink complete  
with standard equipment



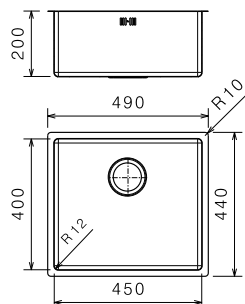
Cod.: **A1A17**

Sink complete  
with standard equipment



Cod.: **A1A18**

Sink complete  
with standard equipment

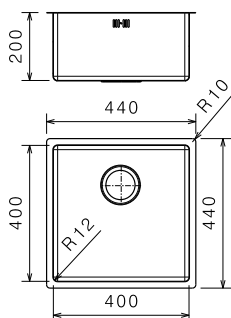


Cod.: **A1A19**

Sink complete  
with standard equipment

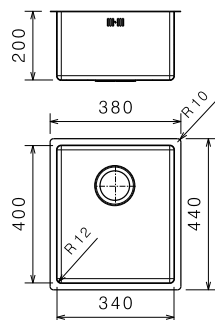


# Aeterna Undermount



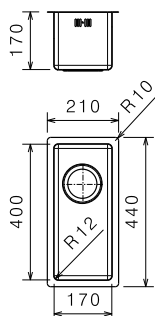
Cod.: **A1A21**

Sink complete  
with standard equipment



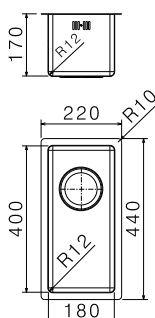
Cod.: **A1A22**

Sink complete  
with standard equipment



Cod.: **A1A23**

Sink complete  
with standard equipment



Cod.: **A1A24**

Sink complete  
with standard equipment





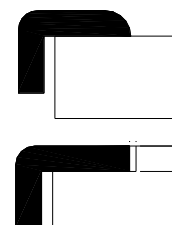
# Naturalis

Result of an incontestable enrichment of style at design level, **Naturalis** is the emblem of Italian style reinterpreted with genius.

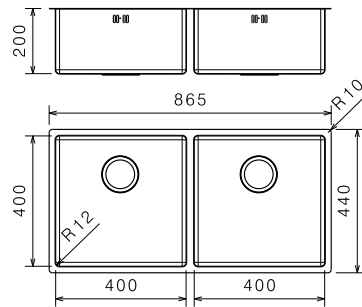
The new forms, ambassadors of SUPERLUX talent, guarantee a perfect combination in each kitchen space, embodying the new spirit of conquest that SUPERLUX, at the dawn of the third millennium, was able to give to its products which leave the essence of the simple sink for becoming important elements of furniture. The sinks and bowls Naturalis by SUPERLUX, are characterised by their superior quality and attention to detail, leaving however room for a simple and essential design that fits perfectly in the kitchens of all kinds, exalting handicraft creativity that SUPERLUX knew how to interpret and create.

What else, if not love for art, could give such a form to matter and create objects of absolute purity.

**FLUSH-/  
TOPMOUNT**



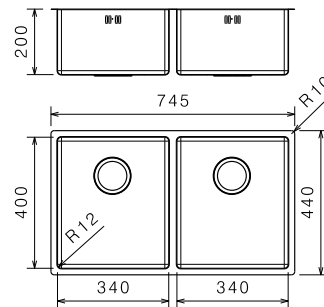
# Naturalis Flush-/Topmount



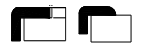
Cod.: **N2A24**



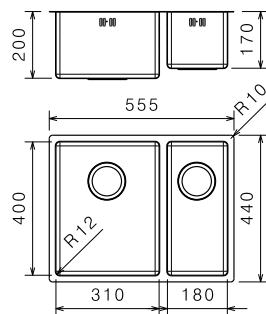
Sink complete  
with standard equipment



Cod.: **N2A25**



Sink complete  
with standard equipment

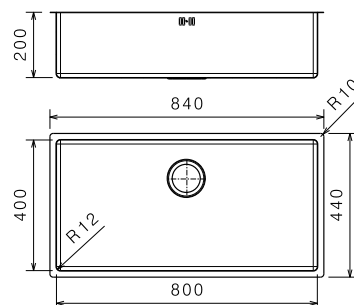


Cod.: **N2A26** / Big bowl right



Cod.: **N2A27** / Big bowl left

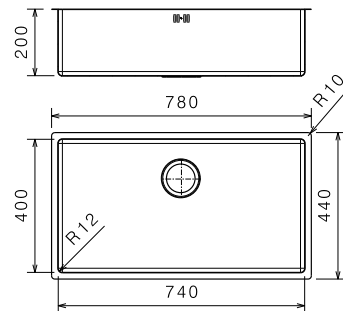
Sink complete  
with standard equipment



Cod.: **N1A28**

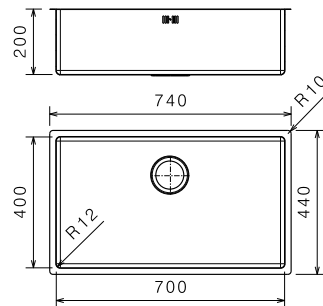


Sink complete  
with standard equipment



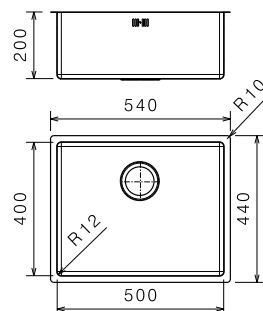
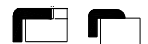
Cod.: **N1A29**

Sink complete  
with standard equipment



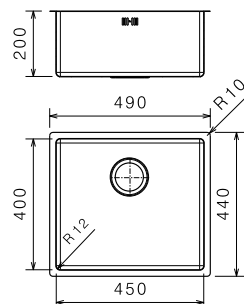
Cod.: **N1A31**

Sink complete  
with standard equipment



Cod.: **N1A32**

Sink complete  
with standard equipment



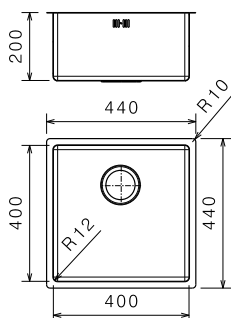
Cod.: **N1A33**

Sink complete  
with standard equipment



# Naturalis

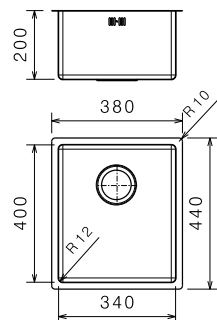
## Flush-/Topmount



Cod.: **N1A34**



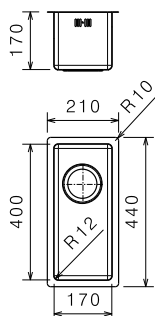
Sink complete  
with standard equipment



Cod.: **N1A35**



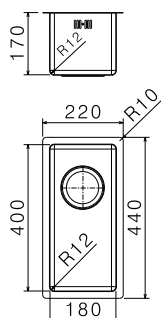
Sink complete  
with standard equipment



Cod.: **N1A36**



Sink complete  
with standard equipment



Cod.: **N1A37**



Sink complete  
with standard equipment

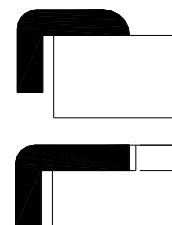
# Divina

SUPERLUX creates line **Divina**, a new stylistic expression which draws inspiration from the simple atmospheres of everyday life. Born from a project to create a post-modern and stylish sink with innovative techniques and still unpublished lines Divina is both wisdom and madness at the same time. Madness, because its extreme technology requires an unparalleled dexterity, and wisdom, because result of passion for the finest artisan masteries. This represents an unparalleled advantage that the only "engineering" will never add.

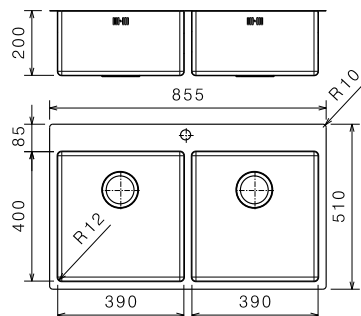
The surface completely smooth and streamlined, the refinement of the stainless steel used and the high-tech of construction techniques elevate Divina sinks to the "Master of quality".

Its line extremely essential and refined in details, the meticulous care of the finishings expresses the quintessence of SUPERLUX thought, placing this collection at the highest levels for quality and style.

**FLUSH-/  
TOPMOUNT**

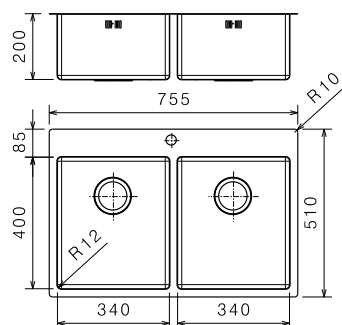


# Divina Flush-/Topmount



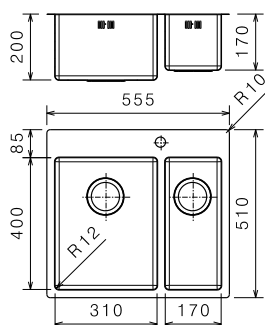
Cod.: **D2A37**

Sink complete  
with standard equipment



Cod.: **D2A38**

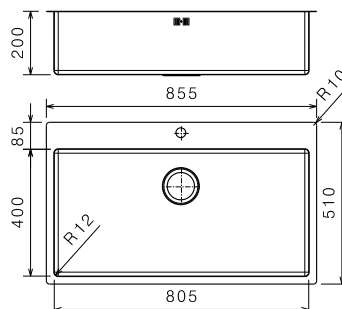
Sink complete  
with standard equipment



Cod.: **D2A39** / Big bowl right

Cod.: **D2A41** / Big bowl left

Sink complete  
with standard equipment

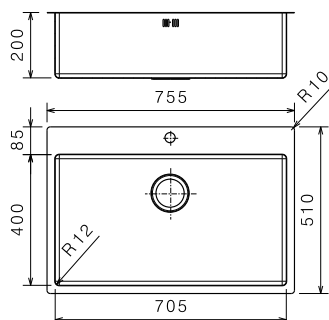


Cod.: **D1A42**

Sink complete  
with standard equipment



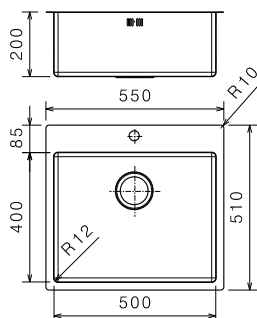
# Divina Flush-/Topmount



Cod.: **D1A43**



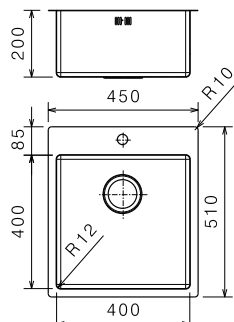
Sink complete  
with standard equipment



Cod.: **D1A44**



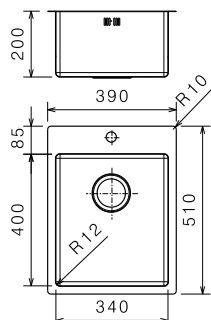
Sink complete  
with standard equipment



Cod.: **D1A45**



Sink complete  
with standard equipment

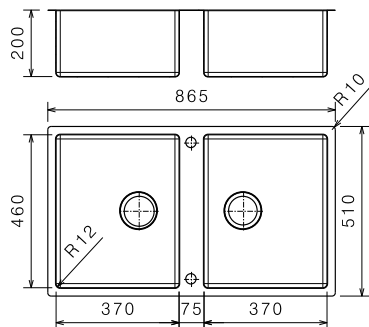


Cod.: **D1A46**



Sink complete  
with standard equipment

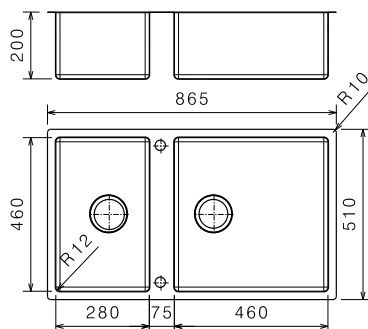
# Divina Flush-/Topmount



Cod.: **D2A86**



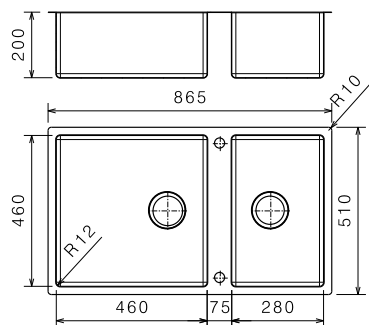
Sink complete  
with standard equipment



Cod.: **D2A86D**



Sink complete  
with standard equipment



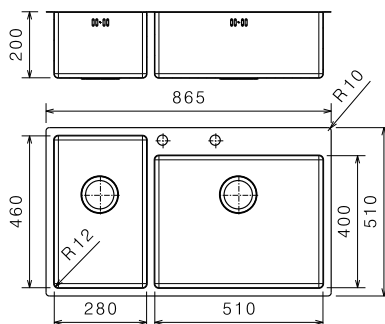
Cod.: **D2A86S**



Sink complete  
with standard equipment

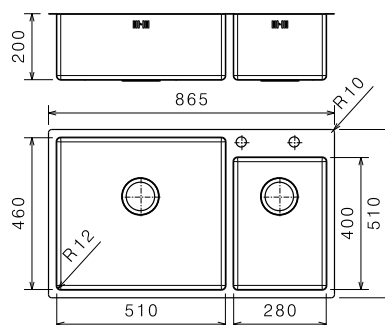


# Divina Flush-/Topmount



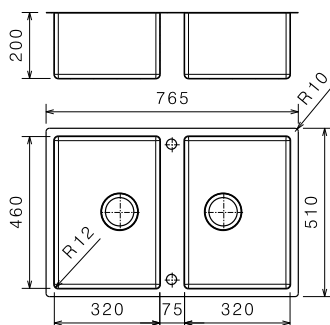
Cod.: **D2A87D**

Sink complete  
with standard equipment



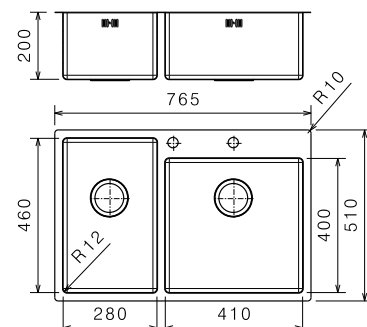
Cod.: **D2A87S**

Sink complete  
with standard equipment



Cod.: **D2A88**

Sink complete  
with standard equipment

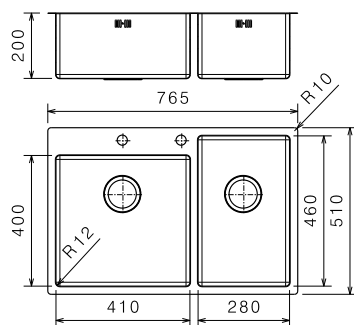


Cod.: **D2A89D**

Sink complete  
with standard equipment



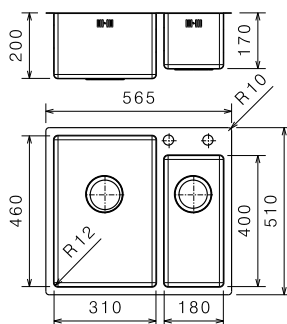
# Divina Flush-/Topmount



Cod.: **D2A89S**



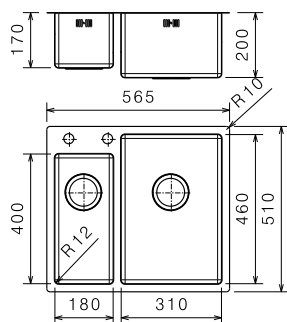
Sink complete  
with standard equipment



Cod.: **D2A91S**



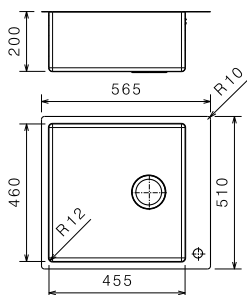
Sink complete  
with standard equipment



Cod.: **D2A91D**



Sink complete  
with standard equipment



Cod.: **D1E11**



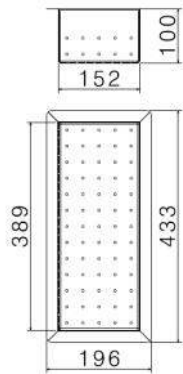
Sink complete  
with standard equipment

# Accessories

Aeterna

Naturalis

Divina

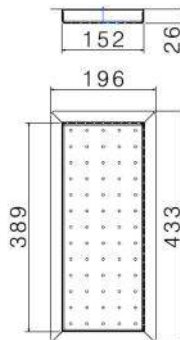


Cod.: **VD11**

AISI 304 stainless steel colander,  
1 mm thickness

Scotch Brite finishing.

Angular protective inserts in  
polyethylene

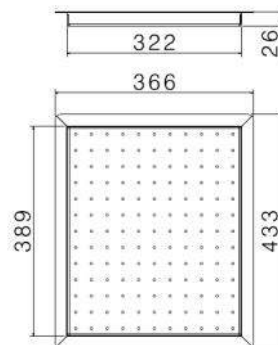
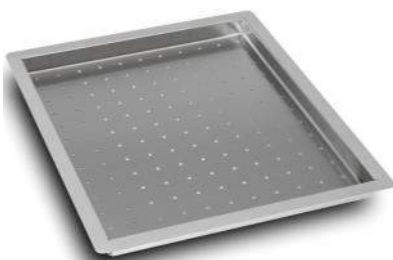


Cod.: **VD12**

AISI 304 stainless steel draining tray,  
1 mm thickness

Scotch Brite finishing.

Angular protective inserts in  
polyethylene

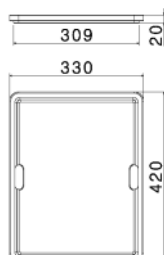


Cod.: **VD13**

AISI 304 stainless steel draining tray,  
1 mm thickness

Scotch Brite finishing.

Angular protective inserts in  
polyethylene

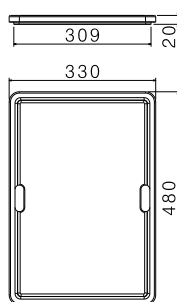


Cod.: **VD21**

Cutting board in polyethylene

Dim. 330x420

Suitable for sinks with bowl of 400 mm depth



Cod.: **VD22**

Cutting board in polyethylene

Dim. 330x480

Suitable for sinks with bowl of 460 mm depth



Cod.: **VD32**

3 1/2" automatic with pop-up stainless steel AISI 304 waste kit with basket drainer.

Scotch Brite finishing.



Cod.: **VD31**

3 1/2" automatic with pop-up stainless steel AISI 304 double waste kit with basket drainer.

Scotch Brite finishing.



Cod.: **VD36**

Square manual stainless steel AISI 304 waste kit with basket drainer.

Scotch Brite finishing.



Cod.: **VD34**

Square automatic with pop-up stainless steel AISI 304 waste kit with basket drainer.

Scotch Brite finishing.



Cod.: **VD35**

Square automatic with pop-up stainless steel AISI 304 double waste kit with basket drainer.

Scotch Brite finishing.

# Details

**Straightness** / SUPERLUX bowls as Naturalis are absolutely straight and appropriate to use for flush mounting and installation under laminate.

**Water drainage** / The additional press with a very high slope into the bottom of the bowl, so that the Water can flow completely away.

**Custom made** / Create your own design. SUPERLUX is specialized to produce custom made bowls. External dimensions, bowls dimensions, logo, etc.

**Stiffness by the tap-hole area** / Divina with the tap hole area have a very high stiffness to use the highest taps and give taps with pull-out sprays the best stability.

All our products are completely manufactured in Italy, by using stainless steel AISI 304—18/10, 1 mm thickness, of first choice.

Finishing SCOTCH BRITE is a very particular finishing obtained from the base coating (steel already polished as mirror). This kind of finishing gives an effect very brilliant and uniform to the sink.

Our working operations are performed using semi-automatic systems, and for this reason SUPERLUX can guarantee an excellent finishing, always repeatable in each piece of the entire production process.



The best stainless steel AISI 304 18/10. is used.

The generous 1 mm thickness gives a higher strength.

The particular finishing, generates an extraordinary brilliance and sense of glazing is kept uniform at every point.

All this gives life to unmistakable charm artifacts.



The minimalist structure follows a clear line which generates an effective aesthetic.

The perfection of workmanship coupled with an harmonious and innovative design, project SUPERLUX creations beyond all conception level.

The product was born from the union of three substantial elements: matter, dexterity and genius.



Attractive the design of bottom-bowl at single slope, and unthinkable volumes are offered by 200 mm depth.

All models are equipped with a 3 1/2" drain, thanks to which operations of bowls emptying are accelerated, on which you can install a heatsink, for meeting every possible requirements.



The product lines are characterized by the incredible consistency of shapes. New standards SUPERLUX was able to introduce.

An elegant style of sure impact is given by the rounded corners of 12 mm.

At the same time allow a more careful and simple cleaning.



# Contacts

First choice materials. Innovative design with simple and essential shapes. Excellent quality standards. These are the strengths of **SUPERLUX**, Venetian company which produces innovative elements for the kitchen.



**SUPERLUX s.r.l.**

Via del Commercio, 21  
IT—36065 Mussolente (VI)

Tel. +39 0424 878654

Fax +39 0424 576660

Mail [info@superlux.it](mailto:info@superlux.it)

HP [superlux.it](http://superlux.it)

# Notes

